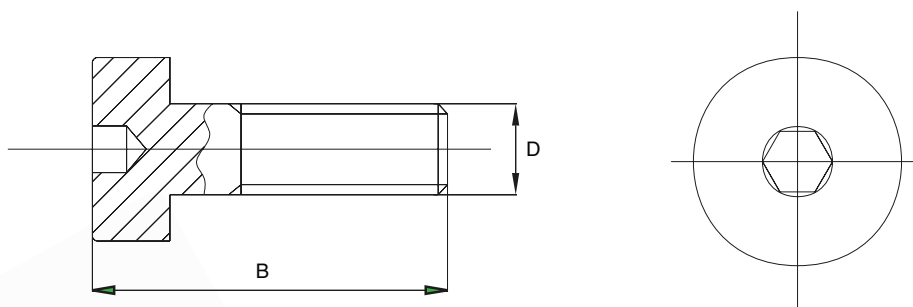


VITI TESTA CILINDRICA ESAGONO INCASSATO **1080**
CYLINDRICAL HEAD SCREW WITH HEXAGONAL RECESS

Cod.	D	B
001	M5	13
002	M5	20

B = spessore in mm. - thickness in mm. D = diametro in mm. - diameter in mm.



VITI TESTA SVASATA CON CHIAVE TORX **1081**
FLARED AND TORX HEAD SCREW

Cod.	D	B
001	M4	3,2

B = spessore in mm. - thickness in mm. D = diametro in mm. - diameter in mm.

